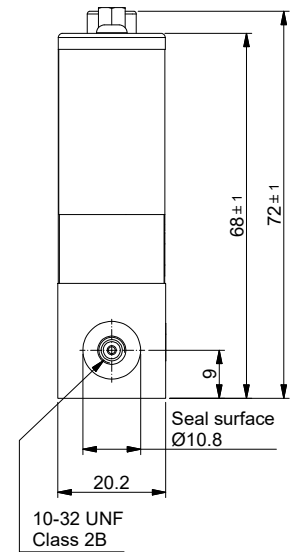
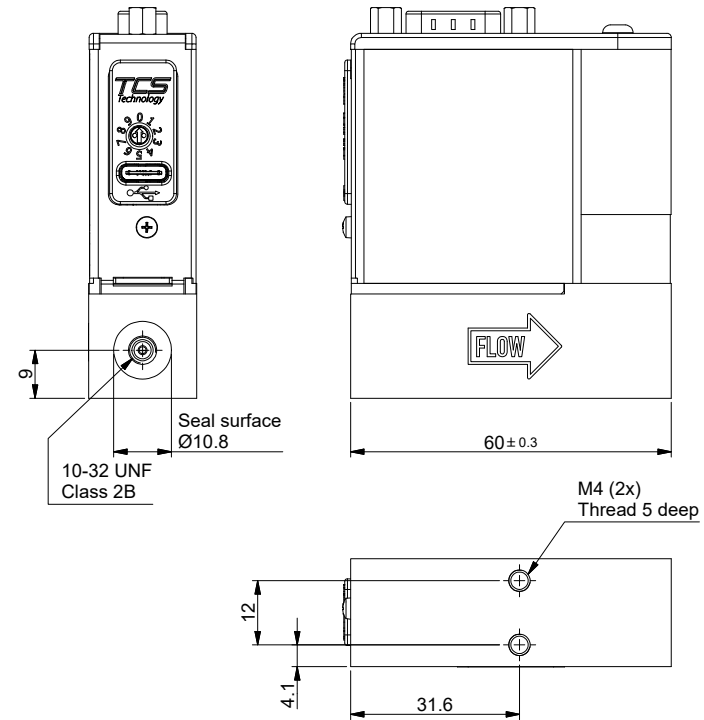
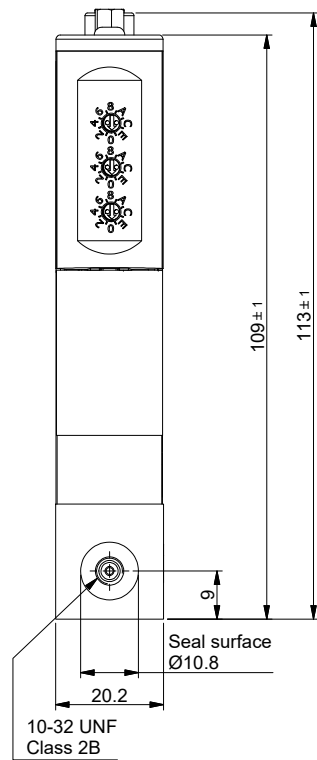
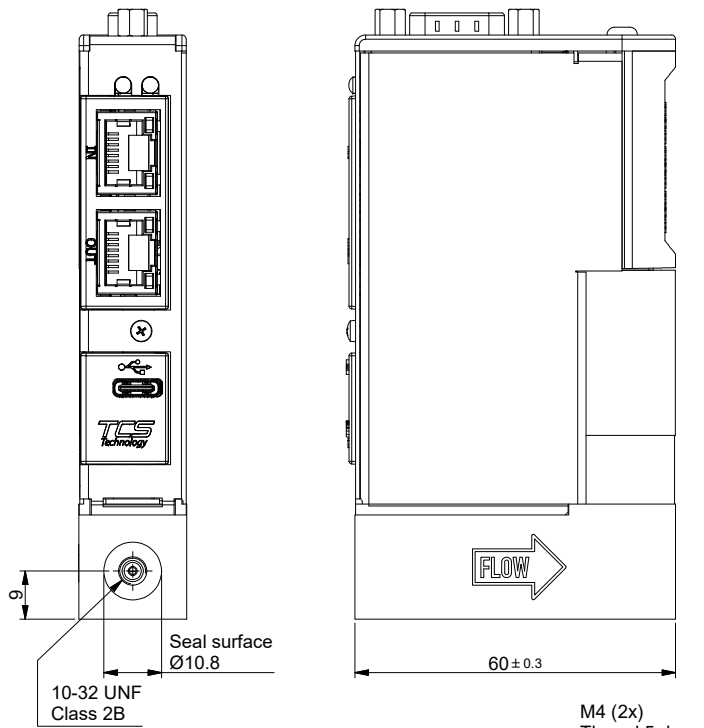
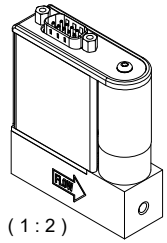
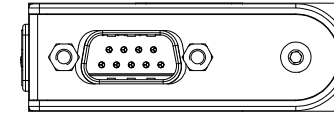
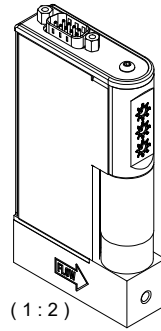
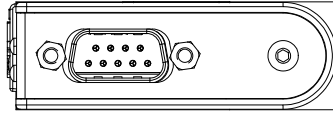


Ethernet based



Tolerances ± 0.2 unless otherwise mentioned

Dimensions subject to change without notice.

Title: Dimensional drawing
FLEXI-FLOW Compact FF-a0n



Projection:
Third Angle
Dimensions:
Metric (mm)

Drawn by: M.H.
Date: 03-11-2023
Rev. by:
Date:
Checked: V.H.
Date: 03-11-2023

Revision Description:
New drawing

Scale:
1 : 1

A3

Drawing no.: 7.15.287

Rev: A

Page:
1 - 1