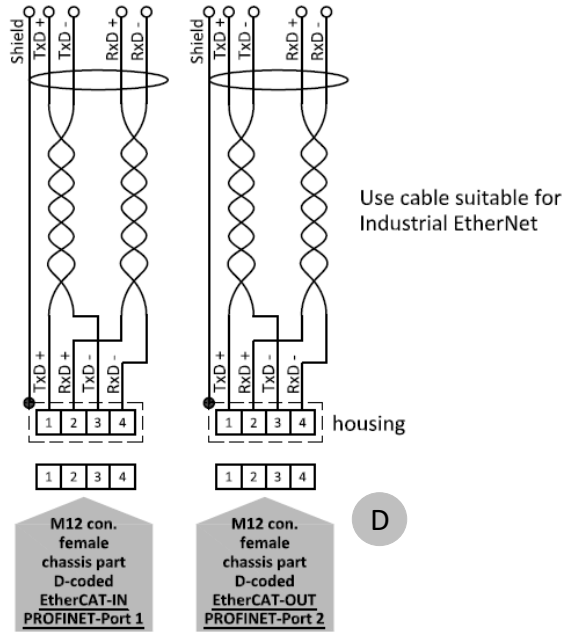


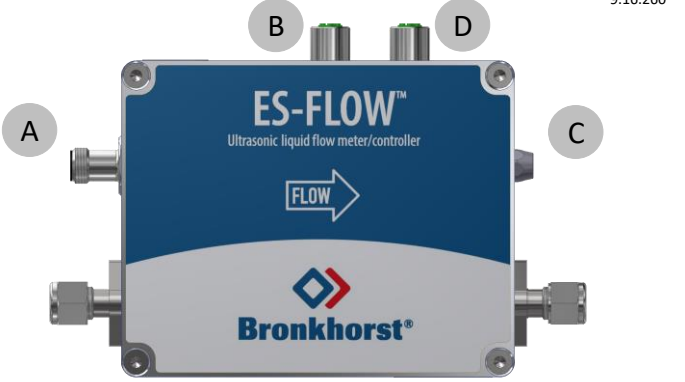
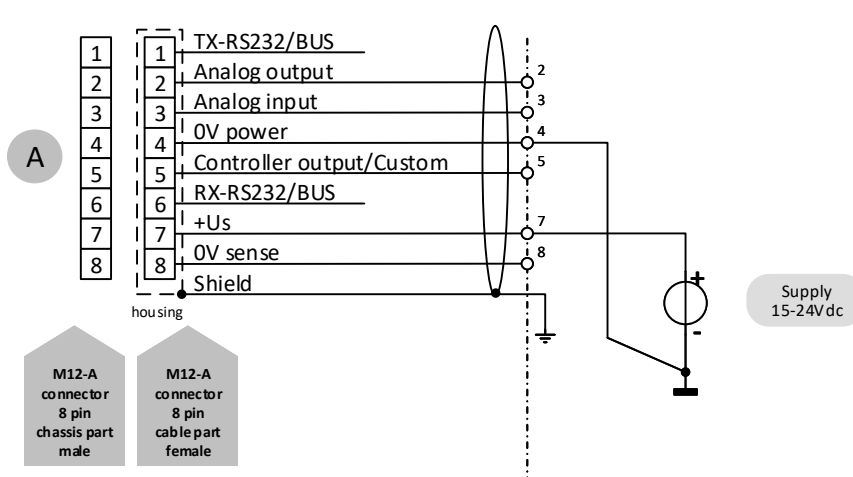
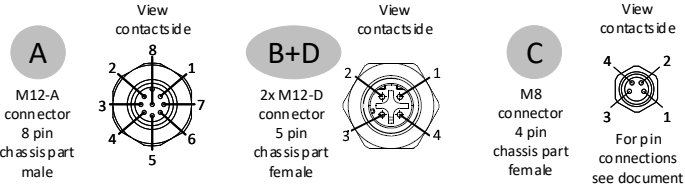
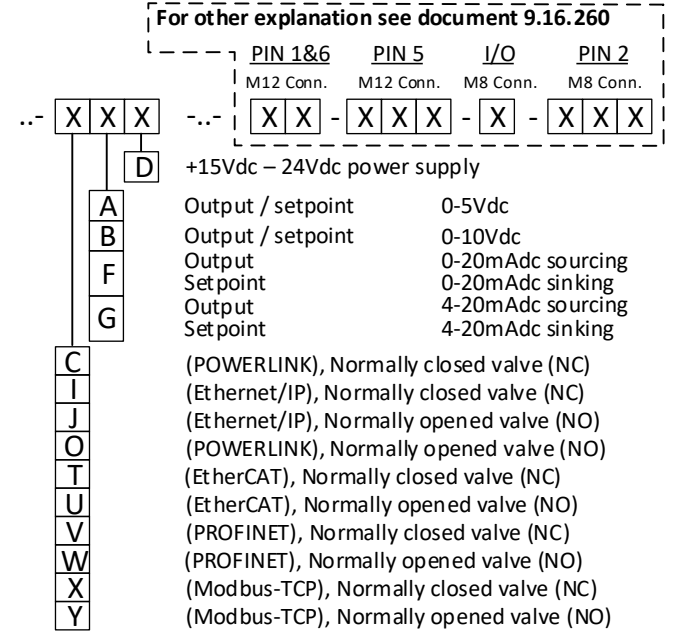
EtherNet interfaces M12

EtherCAT / EtherNet-IP / Modbus-TCP / POWERLINK / PROFINET

EtherNet connection



Model key explanation



Note:
When using a field bus or RS-232, it is not possible to operate the instrument by using the setpoint signal of the analog M12 connector without changing the value of parameter "control mode".
See instrument manual for more details.
Do not connect an external valve to instruments, set as meter.