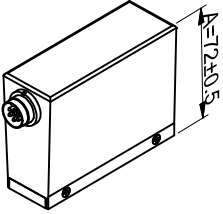
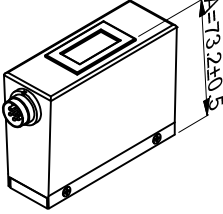
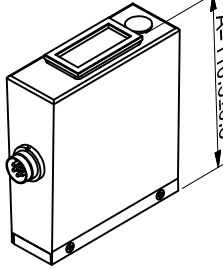
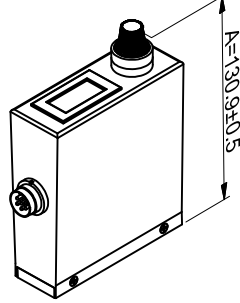
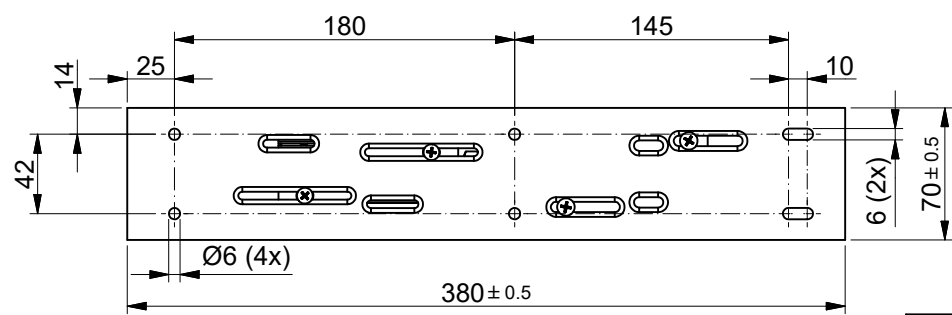
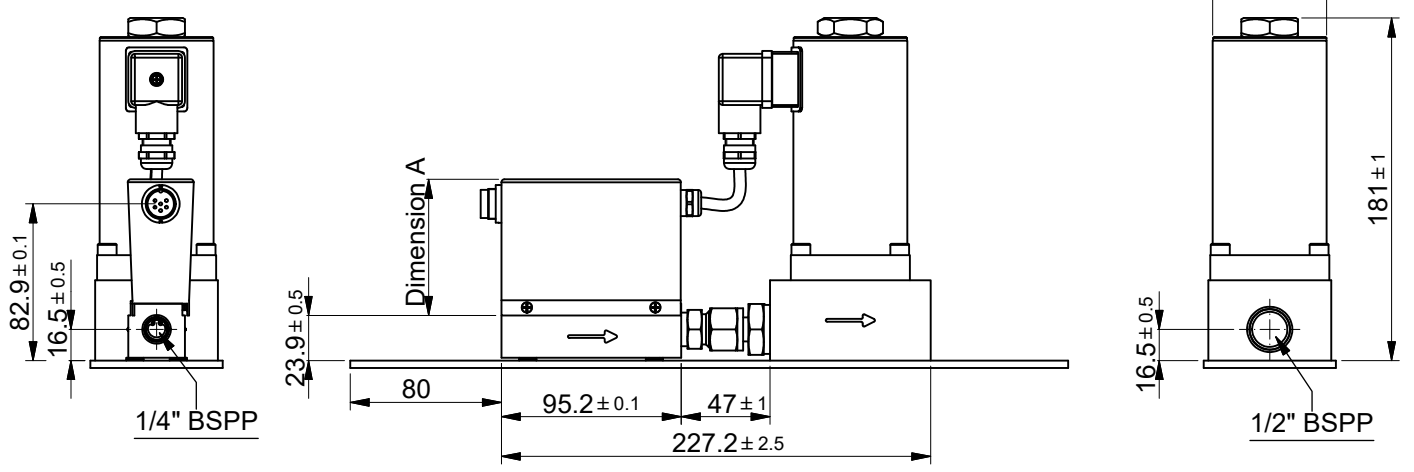
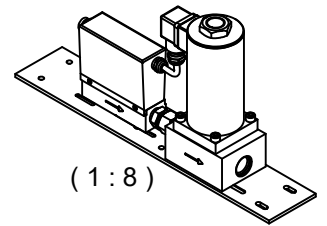

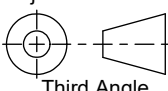


<p>1 (Scale 1:4)</p> 	<p>2 (Scale 1:4)</p> 	<p>3 (Scale 1:4)</p> 	<p>4 (Scale 1:4)</p> 
Analog case assy	Analog case assy with display	Analog case assy with V/F convertor	Analog case assy including potentiometer



Dimensions subject to change without notice.

Tolerances ± 0.2 unless otherwise mentioned

<p>Title: Dimensional drawing  <b>MASS-STREAM™</b>  D-6233/F-004BI</p>		<p>Drawer : M.B.  Date: 28-12-2011</p>	<p>Revision Description:  Rebranded and renamed.</p>		
 <p>WWW.BRONKHORST.COM</p>	<p>Projection:    Third Angle  Dimensions:  Metric (mm)</p>		<p>Checked : J.E.  Date: 08-09-2016  Drawing no.: 7.05.833</p>	<p>Rev. by: R.Ge.  Rev.: C</p>	<p>Scale: 1:4  A4  Page: 1-1</p>