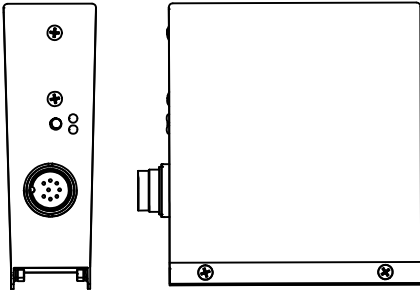
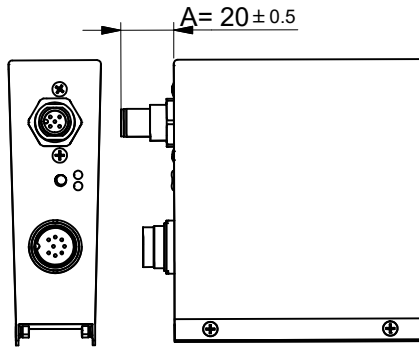


One of these digital case assemblies replaces the case assembly as drawn in the dimensional drawing.  
Please note that the width increases when a connector is used.

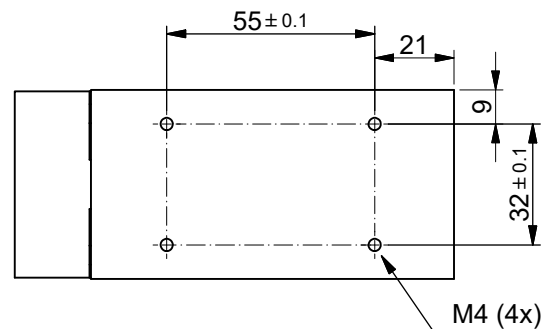
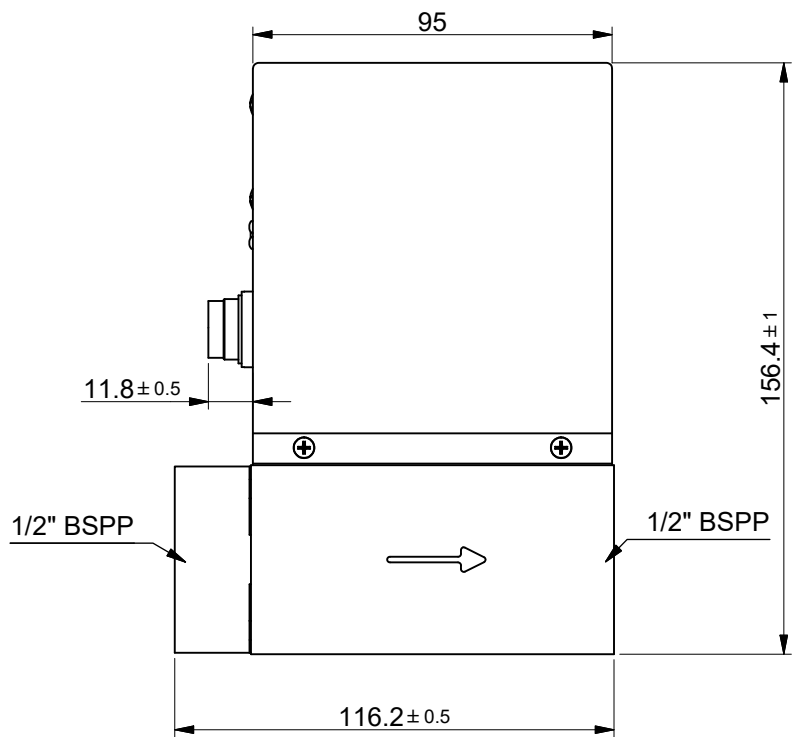
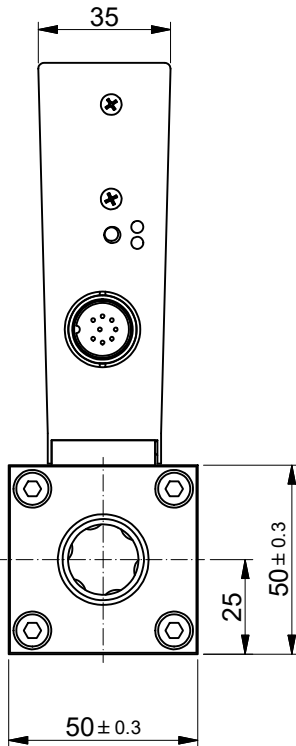
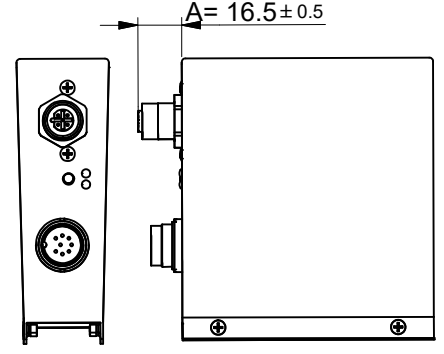
analog / RS232



FLOW-BUS / DeviceNet / Modbus


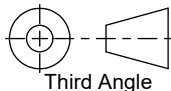


PROFIBUS



Dimensions subject to change without notice.

Tolerances  $\pm 0.2$  unless otherwise mentioned

Title: <b>Dimensional drawing MASS-STREAM™ D-6270 DMFM</b>		Drawer : M.B. Date: 08-05-2008	Revision Description: Rebranded and renamed.	
 WWW.BRONKHORST.COM	Projection:  Third Angle	Checked : J.E. Date: 08-09-2016	Rev. by: R.Ge.	Scale: 1:2
	Dimensions: Metric (mm)	Drawing no.: 7.05.707	Rev.: B	A4 Page: 1-1