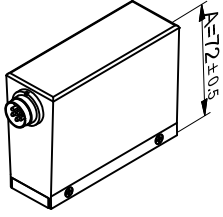
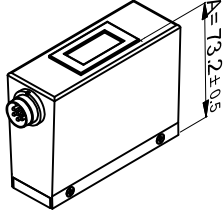
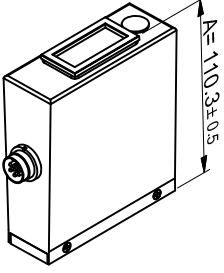
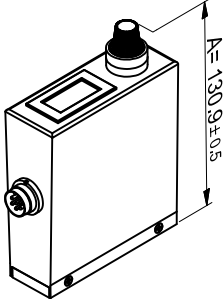
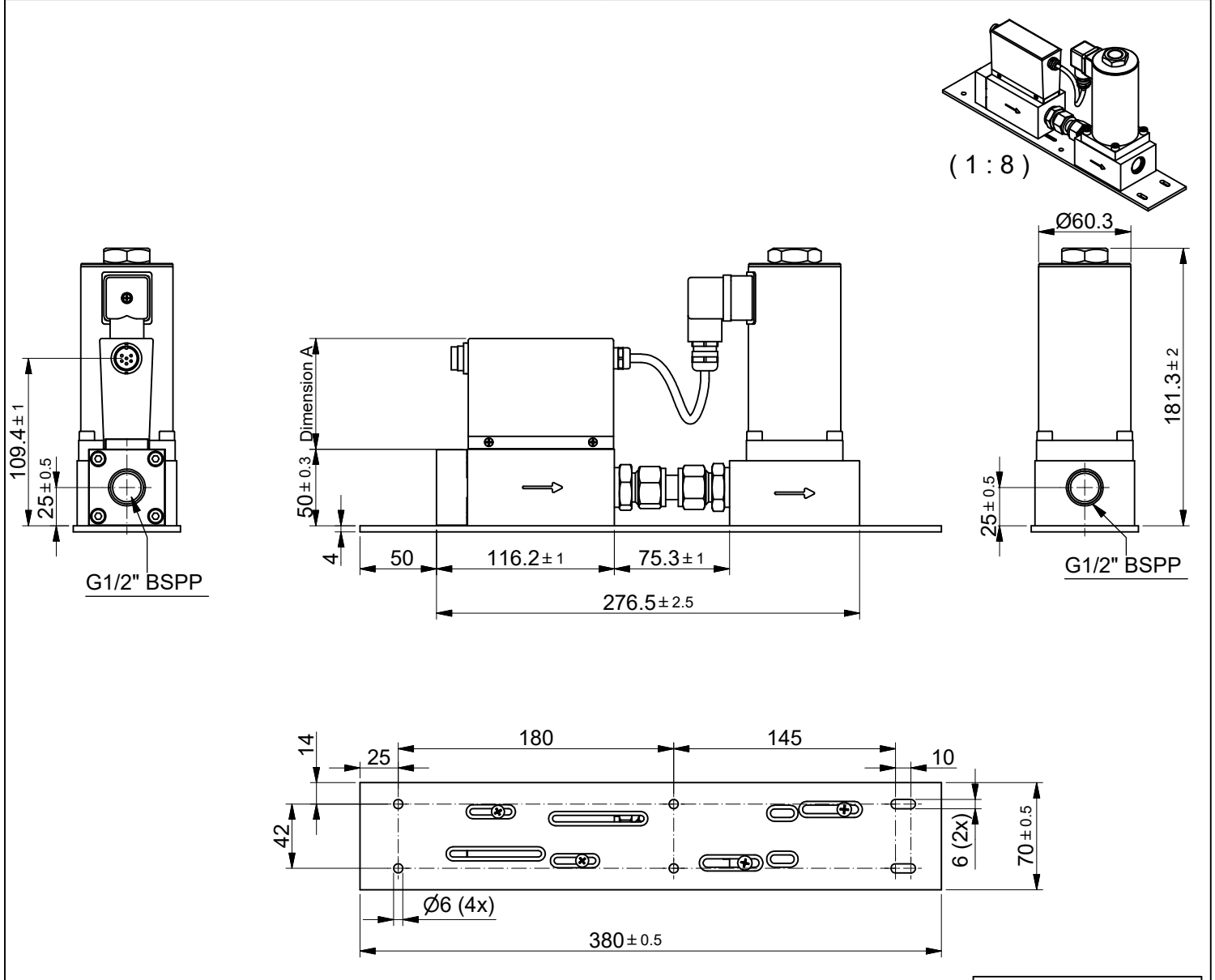

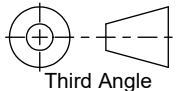


<p>1 (Scale 1:4)</p> 	<p>2 (Scale 1:4)</p> 	<p>3 (Scale 1:4)</p> 	<p>4 (Scale 1:4)</p> 
Analog case assy	Analog case assy with display	Analog case assy with V/F convertor	Analog case assy including potentiometer



Dimensions subject to change without notice.

Tolerances ± 0.2 unless otherwise mentioned

<p>Title: Dimensional drawing MASS-STREAM™ D-6273/F-004BI</p>		<p>Drawer : M.B. Date: 20-08-2009</p>	<p>Revision Description: Rebranded and renamed.</p>		
 <p>WWW.BRONKHORST.COM</p>	<p>Projection: Third Angle</p>  <p>Dimensions: Metric (mm)</p>		<p>Checked : J.E. Date: 08-09-2016 Drawing no.: 7.05.424</p>	<p>Rev. by: R.Ge. Rev.: E</p>	<p>Scale: 1:4 A4 Page: 1-1</p>