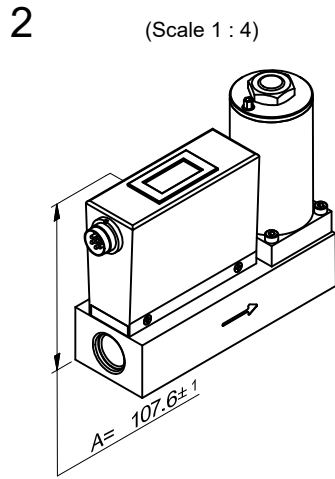
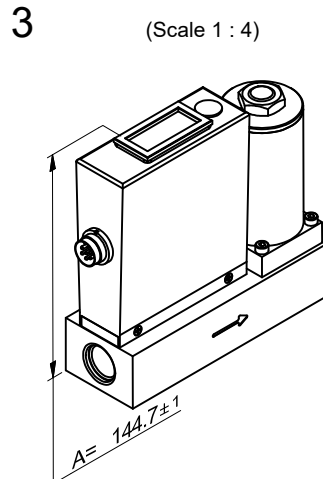


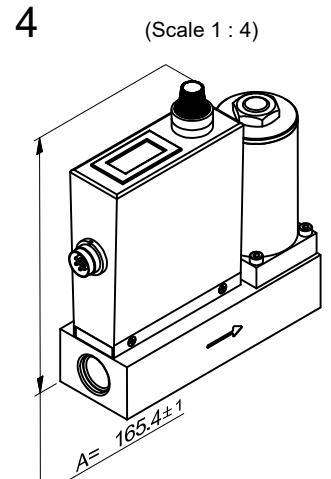
Analog case assy



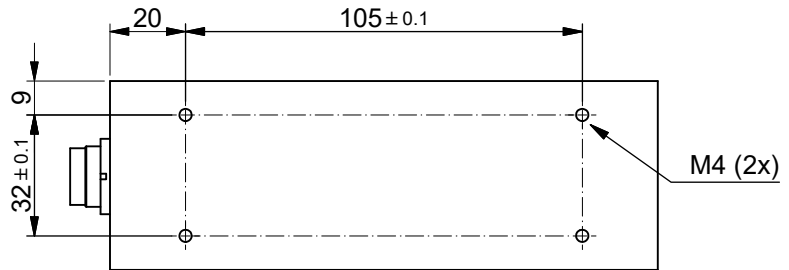
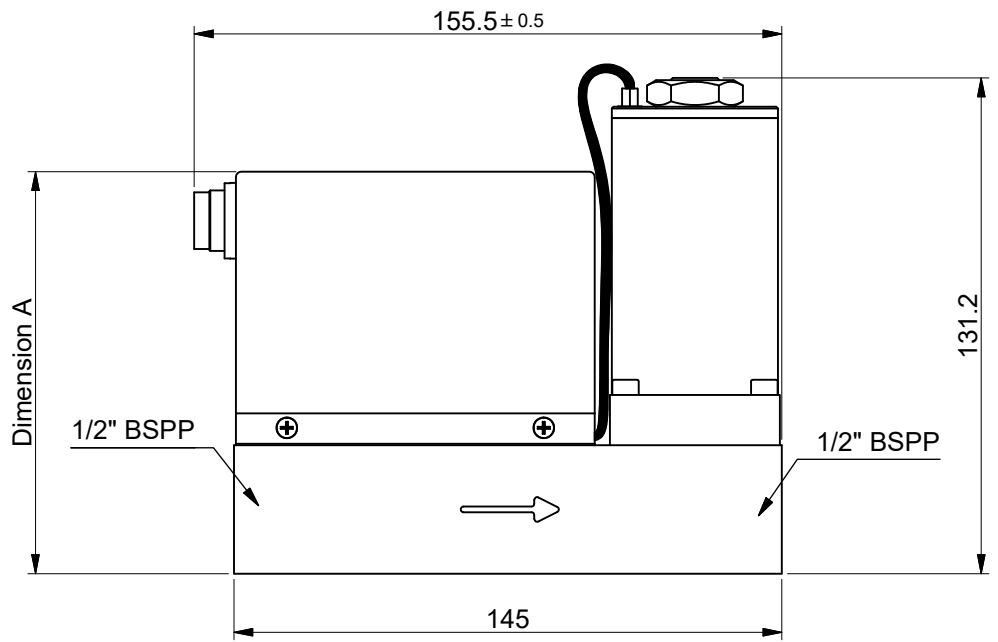
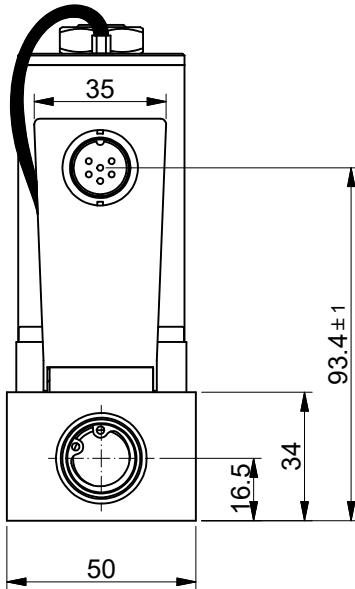
Analog case assy with display



Analog case assy with V/F convertor



Analog case assy including potentiometer



Dimensions subject to change without notice.

Tolerances ±0.2 unless otherwise mentioned

Title: Dimensional drawing MASS-STREAM™ D-6251		Drawer : P.T.B.	Revision Description: Rebranded and renamed.	
		Date: 25-01-1999		
		Checked : J.E.		
		Date: 08-09-2016	Rev. by: R.Ge.	Scale: 1:2
		Drawing no.: 7.05.423	Rev.: E	Page: 1-1
 Bronkhorst ® WWW.BRONKHORST.COM	Projection: Third Angle			
	Dimensions: Metric (mm)			